

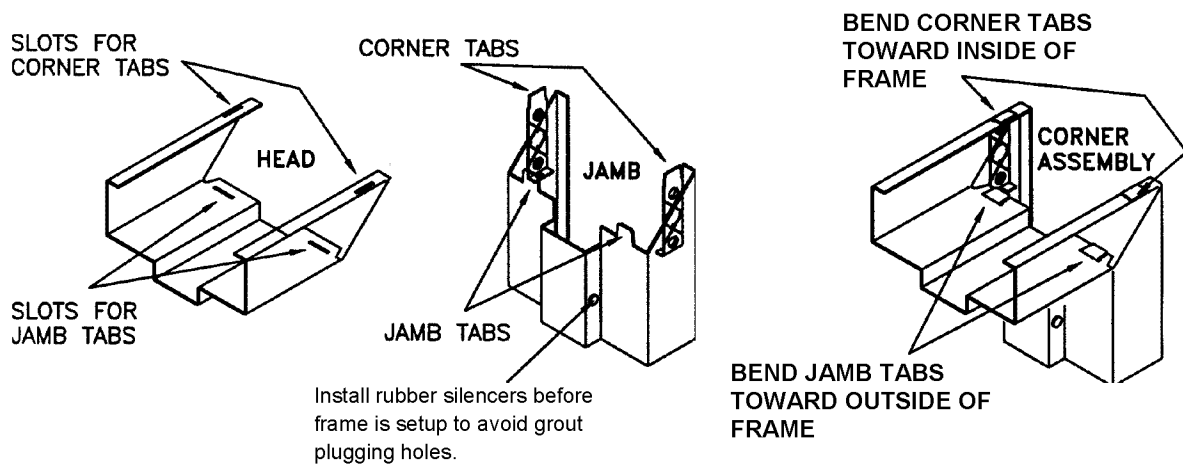
# ASSA ABLOY

## FRAME INSTALLATION

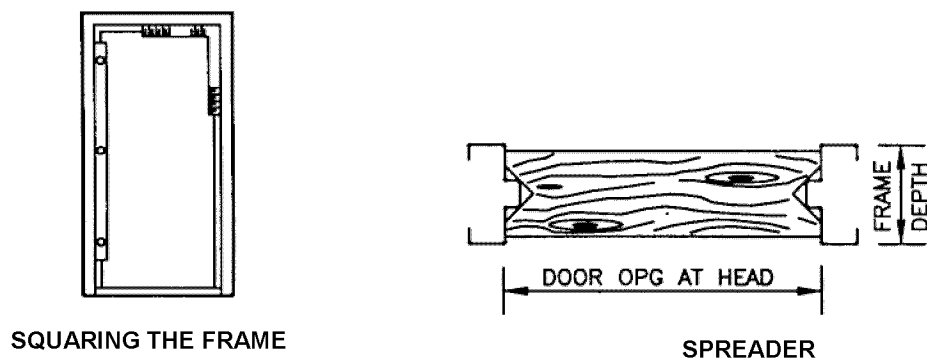
### MASONRY, METAL STUD, and WOOD STUD WALLS

**JOBSITE STORAGE:** Store frames off the ground on wood runners or skids. Do not store directly on the ground. Cover frames with tarpaulin or plastic but do insure that adequate ventilation is provided to eliminate moisture condensation. When frames are to be fully grouted and when plaster or mortar contain "anti-freeze" agents, the inside of the frames should be coated with a bituminous, water-resistant paint by the installation contractor.

### ASSEMBLY of FRAME



### PLUMBING of FRAME

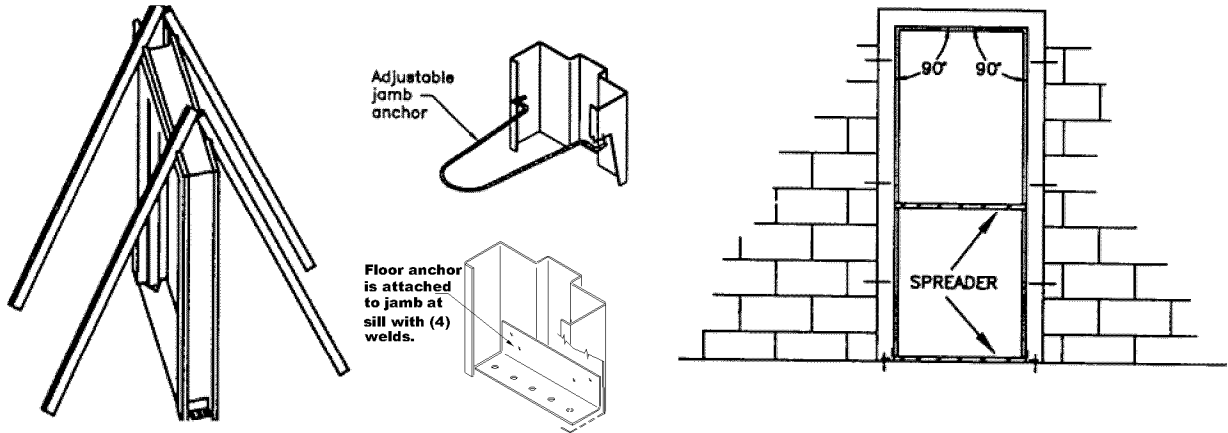


The installer should use wood spreaders (as described at right), a carpenters level (the longer the better), and a carpenters square (the bigger the better). Set the frame in the desired location. Level head and plumb jambs. Shim under jambs if necessary.

Typical wood spreader must be square and made from lumber at least 1" thick. Length of spreader equals door opening width at the head. Cut clearance notches for frame stops as shown. Spreader must be nearly as wide as frame depth for proper installation.

# ASSA ABLOY

## MASONRY WALL CONSTRUCTION



### BRACING THE FRAME

*NOTE: If frame is received setup and welded, remove and discard the temporary metal supports that are tack welded to jambs at sill before starting installation.*

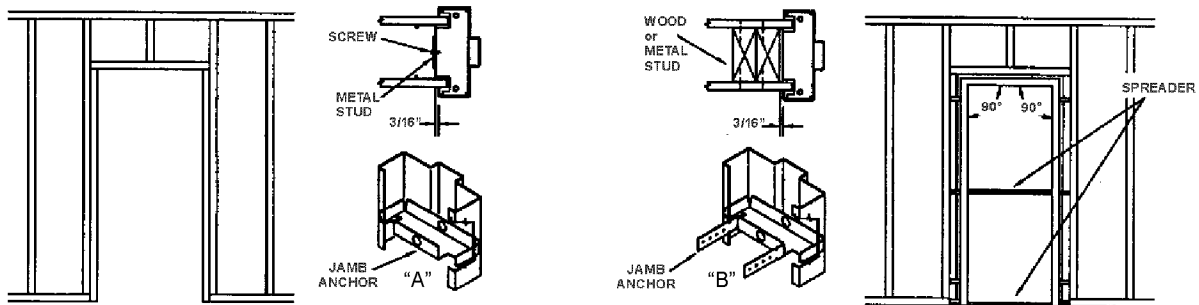
Brace the frame as shown or shore to ceiling. Do not brace in the direction of intended wall. Plumb and square the jambs. Set spreaders. Attach jambs to floor through floor anchor.

### INSTALLING THE FRAME

Set and plumb frame. Install jamb anchors at hinge levels as wall is laid up. (3 anchors for heights to 7-2 -- one more anchor per jamb for each additional 2 feet or fraction thereof.) Grout frame in the area of the anchors. A second spreader should be used at mid-point of opening to maintain the door opening dimension. Continually check plumb and square as wall progresses.

CHECK: The difference between diagonals measured from opposite corners should not exceed 1/16".

## METAL STUD and WOOD STUD WALL CONSTRUCTION



### ROUGH STUD OPENING

Add 3/8" to overall frame width  
Add 1/8" to overall frame height

1. Build the rough opening in wall allowing 3/16" clearance between upright stud and frame jamb and 1/8" clearance between header and top of door frame.\*
2. Insert jamb anchors into frame throat and tap into place with a hammer.
3. Set frame in rough opening
4. Set spreader and level frame. Shim jambs as necessary.

\* If you choose to erect door frame before wall framing, brace frame and anchor at sill per masonry procedure above, then butt studs to door frame.

### INSTALLING THE FRAME

5. Square and fasten top anchor to jamb on ONE JAMB ONLY. Check plumb and square and continue to fasten balance of anchors to studs. Repeat on opposite frame jamb.
- 6a. Fasten supplied anchor (detail "A") to metal stud thru web of channel with suitable fastener for sheet metal.
- 6b. Fasten supplied anchor (detail "B") by bending tabs around wood stud and fasten with suitable anchor.
7. Maintain necessary clearances between frame returns and stud for insertion of wallboard. Do not install wallboard until you are sure the frame is plumb and square.

Form AD-1090-1084 04/03/08