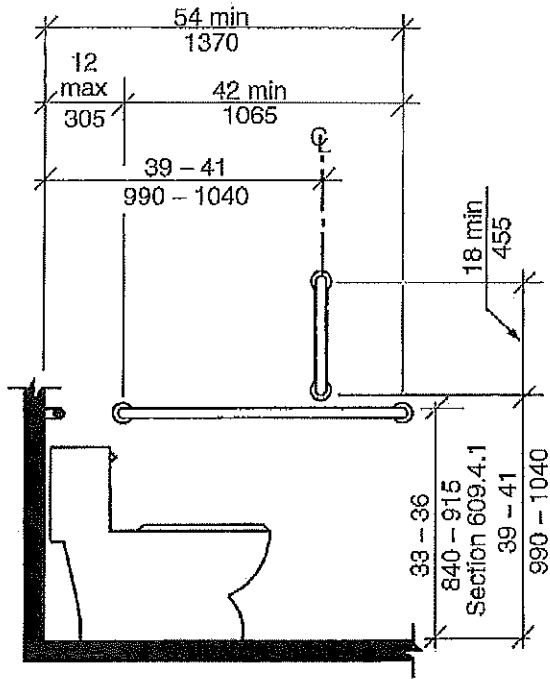
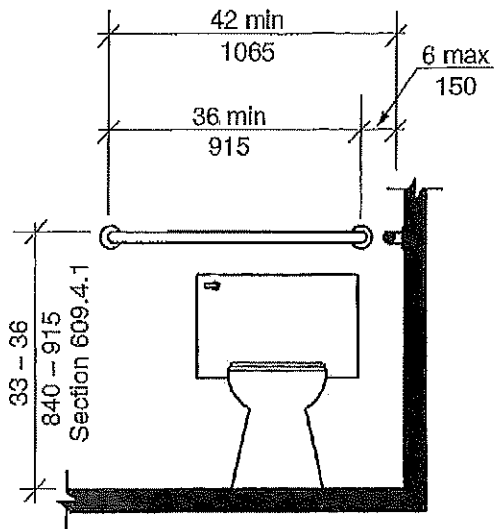


Guidelines for Adult stalls



Note: For children's dimensions see Fig. 609.4.2
FIGURE 604.5.1
SIDE-WALL GRAB BAR FOR WATER CLOSET



Note: For children's dimensions see Fig. 609.4.2
FIGURE 604.5.2
REAR-WALL GRAB BAR FOR WATER CLOSET

604.5 Grab bars. Grab bars for water closets shall comply with Section 609 and shall be provided in accordance with Sections 604.5.1 and 604.5.2. Grab bars shall be provided on the rear wall and on the side wall closest to the water closet.

Exceptions:

1. Grab bars shall not be required to be installed in a toilet room for a single occupant, accessed only through a private office and not for common use or public use, provided reinforcement has been installed in walls and located so as to permit the installation of grab bars complying with Section 604.5.
2. In detention or correction facilities, grab bars shall not be required to be installed in housing or holding cells or rooms that are specially designed without protrusions for purposes of suicide prevention.

604.5.1 Fixed side-wall grab bars. Fixed side-wall grab bars shall include a horizontal bar complying with Section 604.5.1.1 and a vertical grab bar complying with Section 604.5.1.2. The vertical grab bar at water closets primarily for children's use shall comply with Section 609.4.2.

604.5.1.1 Horizontal grab bar. A horizontal grab bar 42 inches (1065 mm) minimum in length shall be located 12 inches (305 mm) maximum from the rear wall and extend 54 inches (1370 mm) minimum from the rear wall.

604.5.1.2 Vertical grab bar. A vertical grab bar 18 inches (455 mm) minimum in length shall be mounted with the bottom of the bar located 39 inches (990 mm) minimum and 41 inches (1040 mm) maximum above the floor, and with the center line of the bar located 39 inches (990 mm) minimum and 41 inches (1040 mm) maximum from the rear wall.

604.5.2 Rear-wall grab bars. The fixed rear-wall grab bar shall

1. Be 36 inches (915 mm) minimum in length,
2. Be located 6 inches maximum (150 mm) from the side wall, and
3. Extend 42 inches (1065 mm) minimum from the side wall.

Exceptions:

1. The rear grab bar shall be permitted to be 24 inches (610 mm) minimum in length, centered on the water closet, where wall space does not permit a grab bar 36 inches (915 mm) minimum in length due to the location of a recessed fixture adjacent to the water closet.
2. Where an administrative authority requires flush controls for flush valves to be located in a position that conflicts with the location of the rear grab bar, that grab bar shall be permitted to be split or shifted to the open side of the toilet area.

Guidelines for adult stalls

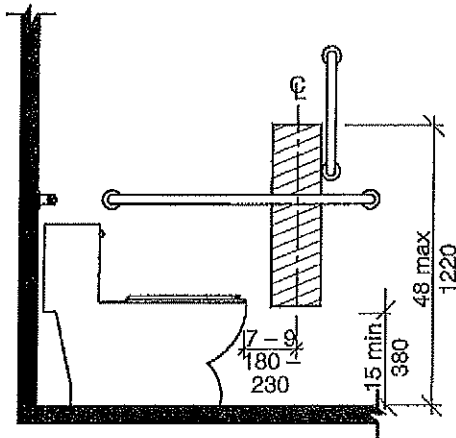


FIGURE 604.7.1(D)
DISPENSER OUTLET LOCATION
DISPENSER IN FRONT OF WATER CLOSET - EXCEPTION

604.8 Coat hooks and shelves. Coat hooks provided within toilet compartments shall be 48 inches (1220 mm) maximum above the floor. Shelves shall be 40 inches (1015 mm) minimum and 48 inches (1220 mm) maximum above the floor.

604.9 Wheelchair accessible toilet compartments.

604.9.1 General. Wheelchair accessible toilet compartments shall comply with Section 604.9.

604.9.2 Size. Wheelchair accessible toilet compartments shall comply with Section 604.9.2.1, 604.9.2.2 or 604.9.2.3 as applicable.

604.9.2.1 Minimum area. The minimum area of a wheelchair accessible toilet compartment shall be 60 inches (1525 mm) minimum in width measured perpendicular to the side wall, and 56 inches (1420 mm) minimum in depth for wall hung water closets, and 59 inches (1500 mm) minimum in depth for floor mounted water closets measured perpendicular to the rear wall.

604.9.2.2 Compartment for children's use. The minimum area of a wheelchair accessible toilet compartment primarily for children's use shall be 60 inches (1525 mm) minimum in width measured perpendicular to the side wall, and 59 inches (1500 mm) minimum in depth for wall hung and floor mounted water closets measured perpendicular to the rear wall.

604.9.2.3 Alternate wheelchair accessible toilet compartments. Where an alternate wheelchair accessible toilet compartment is provided, the minimum area of the compartment shall be 60 inches (1525 mm) minimum in width, measured perpendicular to the side wall, and 84 inches (2135 mm) minimum in depth, measured perpendicular to the rear wall.

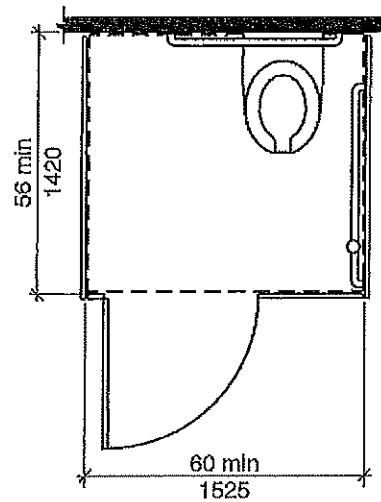


FIGURE 604.9.2(A)
WHEELCHAIR TOILET COMPARTMENTS
WALL HUNG CLOSET, ADULT

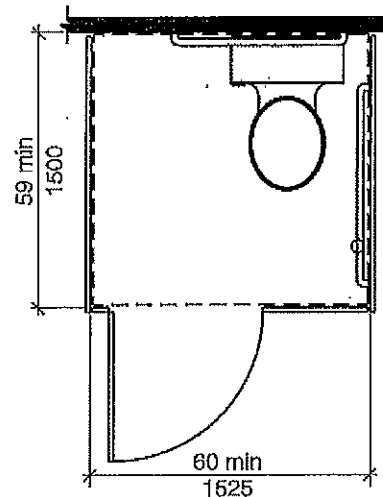
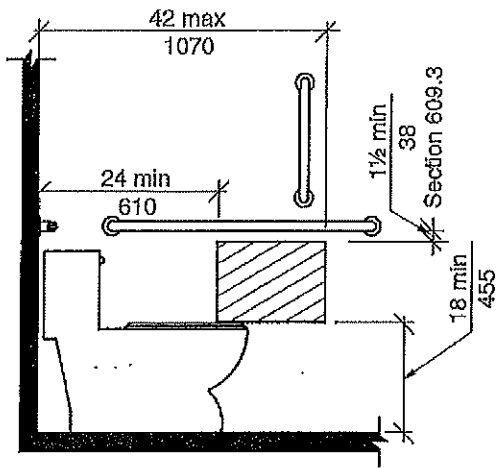
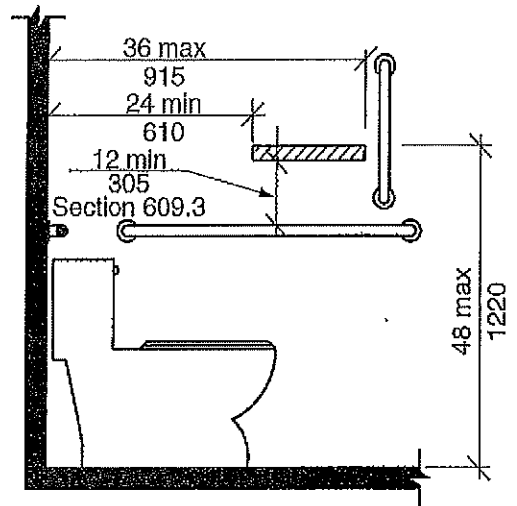


FIGURE 604.9.2(B)
WHEELCHAIR TOILET COMPARTMENTS
FLOOR MOUNTED WATER CLOSET, ADULT - WALL HUNG
AND FLOOR MOUNTED WATER CLOSET, CHILDREN

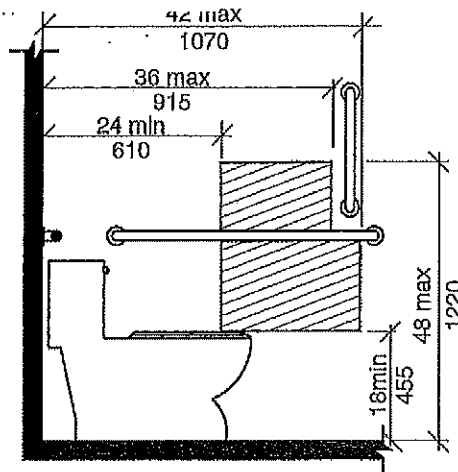
Guidelines for adult stalls



**FIGURE 604.7.1(A)
DISPENSER OUTLET LOCATION - PROTRUDING DISPENSER
BELOW GRAB BAR**



**FIGURE 604.7.1(B)
DISPENSER OUTLET LOCATION
PROTRUDING DISPENSER ABOVE GRAB BAR**



Note: For children's dimensions see Fig. 604.11.7 dispenser outlet location

**FIGURE 604.7.1(C)
DISPENSER OUTLET LOCATION
RECESSED DISPENSER**

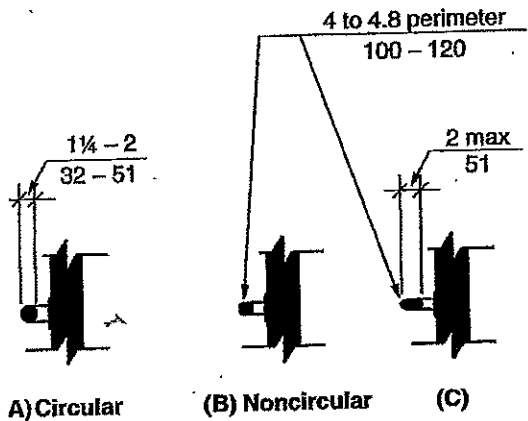


FIGURE 609.2
SIZE OF GRAB BARS

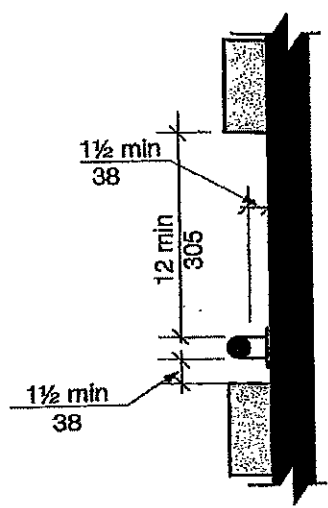


FIGURE 609.3
SPACING OF GRAB BARS

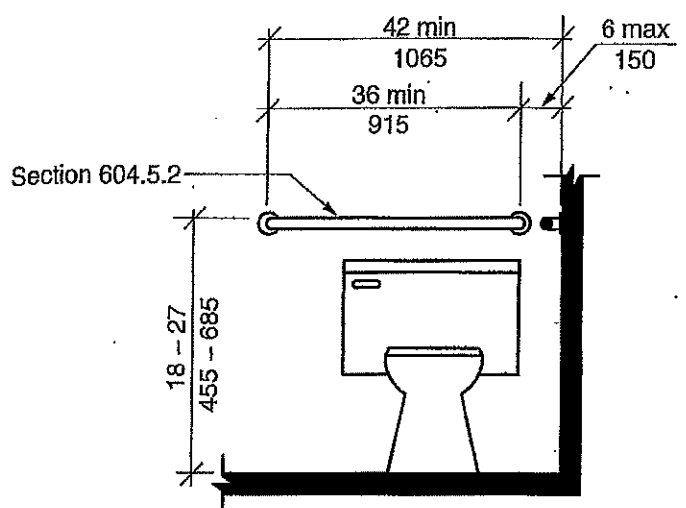
Guidelines for children's stalls

609.4.2 Position of children's grab bars. At water closets primarily for children's use complying with Section 604.11, grab bars shall be installed in a horizontal position 18 inches (455 mm) minimum and 27 inches (685 mm) maximum above the floor measured to the top of the gripping surface. A vertical grab bar shall be mounted with the bottom of the bar located between 21 inches (535 mm) minimum and 30 inches (760 mm) maximum above the floor and with the centerline of the bar located between 34 inches (865 mm) minimum and 36 inches (915 mm) maximum from the rear wall.

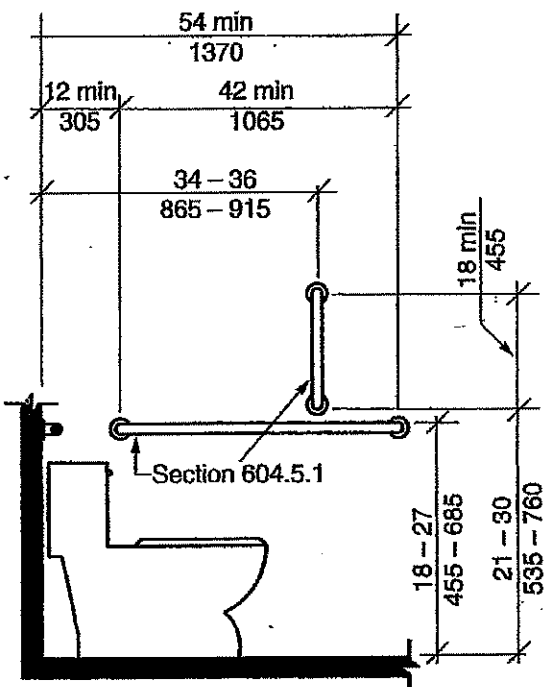
609.4 Position of grab bars.

609.4.1 General. Grab bars shall be installed in a horizontal position, 33 inches (840 mm) minimum and 36 inches (915 mm) maximum above the floor measured to the top of the gripping surface or shall be installed as required by Items 1 through 3.

1. The lower grab bar on the back wall of a bathtub shall comply with Section 607.4.1.1 or 607.4.2.1.
2. Vertical grab bars shall comply with Sections 604.5.1.2, 607.4.1.2.2, 607.4.2.2 and 608.3.1.2.
3. Grab bars at water closets primarily for children's use shall comply with Section 609.4.2.



Note: For adult dimensions see Fig. 604.5.2
FIGURE 609.4.2(B)
POSITIONS OF CHILDREN'S GRAB BARS
REAR-WALL VIEW



Note: For adult dimensions see Fig. 604.5.1
FIGURE 609.4.2(A)
POSITIONS OF CHILDREN'S GRAB BARS
SIDE-WALL VIEW

609.5 Surface hazards. Grab bars and any wall or other surfaces adjacent to grab bars shall be free of sharp or abrasive elements. Edges shall be rounded.

609.6 Fittings. Grab bars shall not rotate within their fittings.

609.7 Installation and configuration. Grab bars shall be installed in any manner that provides a gripping surface at the locations specified in this standard and does not obstruct the clear floor space. Horizontal and vertical grab bars shall be permitted to be separate bars, a single piece bar, or combination thereof.

609.8 Structural strength. Allowable stresses shall not be exceeded for materials used where a vertical or horizontal force of 250 pounds (1112 N) is applied at any point on the grab bar, fastener mounting device, or supporting structure.